



Fairfield-Suisun Unified School District

2490 Hilborn Road • Fairfield, California 94534 • Telephone (707) 399-5148

FAX: (707) 399-5162 • www.fsusd.org

"Fairfield-Suisun Unified School District is a premier learning community that empowers each student to thrive in an ever-changing world."

ADDENDUM NO. 1:

Dated: March 2, 2020

PROJECT: Roofing Upgrades at Oakbrook Academy and Suisun Valley
BID #20F-135

This Addendum forms a part of the Contract Documents and modifies the original Bidding Documents and previous Addenda as noted below. Acknowledge receipt of this Addendum in the space provided in the Proposal Form. Failure to do so may subject Bidder to disqualification.

A. CLARIFICATIONS

ITEM 1: None

B. CHANGES TO SPECIFICATIONS

ITEM 1: Change 00 01 15 "BID/PROJECT TIMELINE" to read as follows:

LAST DAY FOR QUESTIONS/RFI..... MARCH 5, 2020
RECEIVED No LATER THAN 10:00AM"

LAST DAY FOR ADDENDA MARCH 6, 2020
By 4:00PM

BID OPENING (Public) MARCH 11, 2020
CONFERENCE ROOM 102
TIME 1:00 pm

C. CHANGES TO DRAWINGS

ITEM 1: Replace SUISUN VALLEY ES sheets 1,2 and 3 with the SUISUN VALLEY ES sheets 1, 2 and 3 attached to this Addendum.

D. RESPONSE TO BIDDER QUESTIONS

Question 1: Are this project to be completed during the summer break? Please advise

Answer 1: Yes, this project will take place during the break starting June 15, 2020.

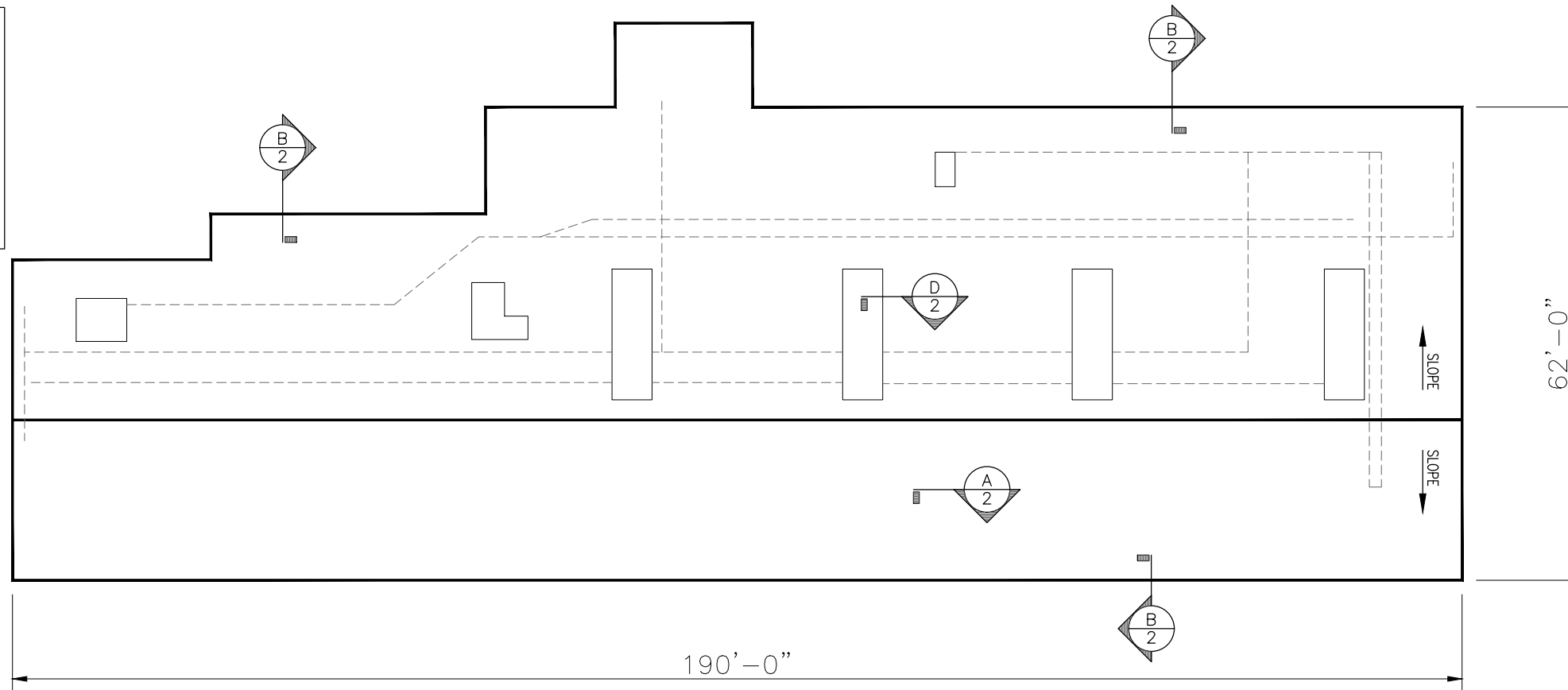
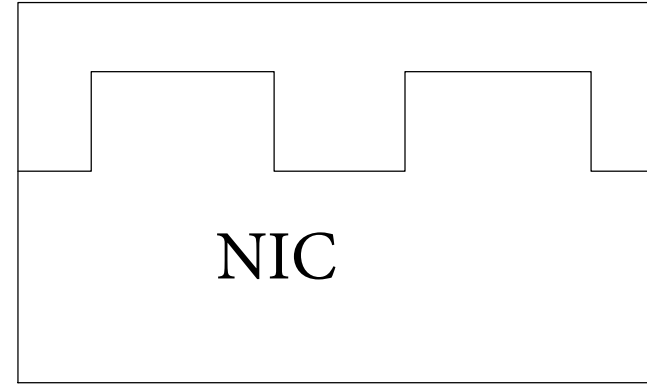
ATTACHMENTS

1) SUISUN VALLEY ES Drawings, 3 pages

End of Addendum No.1

SCOPE OF WORK:

1. INSTALLATION OF 1/2" RIGID INSULATION.
2. INSTALLATION OF DIAMOND CRICKETS IN BETWEEN DRAINS TO ENSURE PROPER DRAINAGE
3. INSTALLATION OF INSULATION CRICKETS UPSLOPE OF ALL CURBS >2.5" WIDE.
4. INSTALLATION OF SBS/SIS MODIFIED BASE SHEET IN TYPE III HOT ASPHALT.
5. INSTALLATION OF SBS/SIS MODIFIED CAP MEMBRANE IN TYPE III HOT ASPHALT.
6. INSTALLATION OF TWO PLY MODIFIED BASE FLASHINGS SET IN HOT ASPHALT.
7. APPLICATION OF TWO COATS TITLE 24 APPROVED WHITE ROOF ACRYLIC.
8. APPLICATION OF LIQUTEC FLUID APPLIED COATING PER MANUFACTURERS RECOMMENDATION AT ALL OAKBROOK BUILDINGS THAT HAVE STANDING SEAM METAL—SEE ROOF PLAN
9. PIPE SUPPORT WOOD BLOCKING: INSTALLATION OF MECHANICALLY ATTACHED, ROOFED IN 4"X6" BLOCKING ON 20' CENTERS.
10. REPLACEMENT OF ALL REMAINING EXPOSED WOOD BLOCKS WITH NEOPRENE RUBBER BLOCKS TO PROVIDE MAX 5' OC SPACING.
11. REUSE OF ALL EXISTING NEOPRENE RUBBER BLOCKS.
12. REPLACEMENT OF ALL FLANGED SHEET METAL VENTS WITH NEW, 20 GAUGE FLANGED VENTS.
13. INSTALLATION OF NEW 24-GAUGE KYNAR COATED GUTTERS.
14. REUSE ALL DOWNSPOUTS.
15. SAW-CUTTING OF NEW 24-GAUGE ROOF TO WALL COUNTER-FLASHINGS.
16. INSTALLATION OF 4 LB. LEAD JACKS AT ALL PIPE PENETRATIONS.
17. REUSE OF EXHAUST FAN COVERS.
18. FLASHINGS, DETAILS, CLEAN UP, ETC.

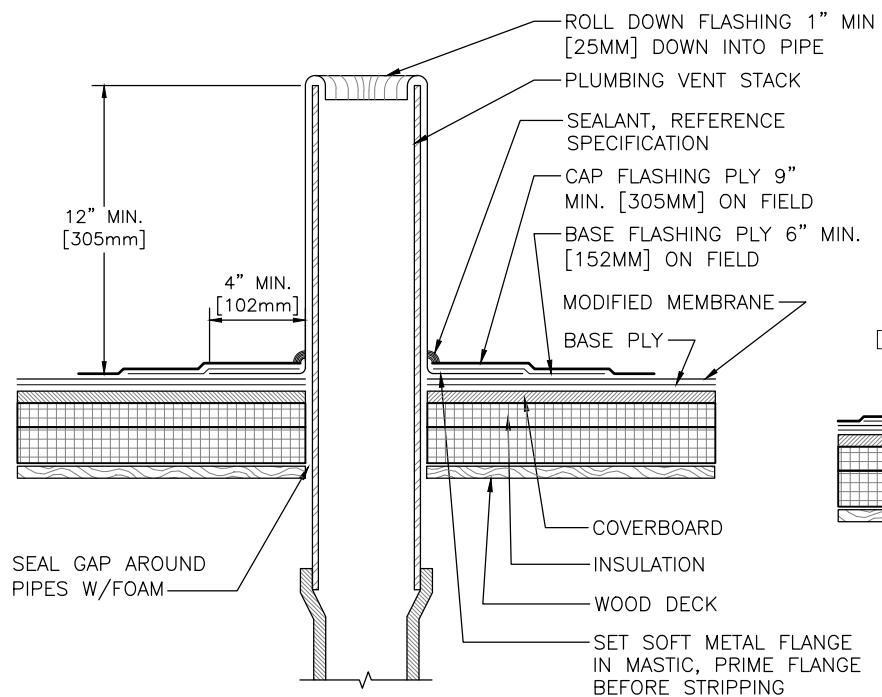


ROOF PLAN
SCALE: 1" = 20'



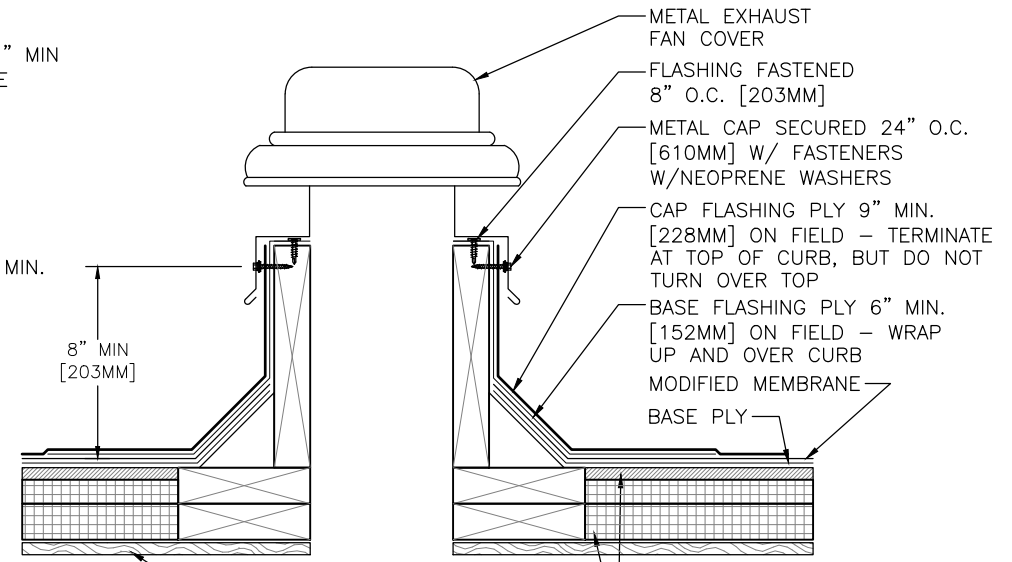
Addendum #1
2 Mar 20

REVISION:		ARCHITECT:		JOB NUMBER:		DWG BY: GCK		CHK BY:	
FAIRFIELD SUISUN UNIFIED SCHOOL DISTRICT - SUISUN VALLEY ES									
4985 LAMBERT RD., FAIRFIELD, CA 94534									
AGENT:									
CUSTOMER:									
SHEET:	1	OF	3	DATE:	01-28-20				



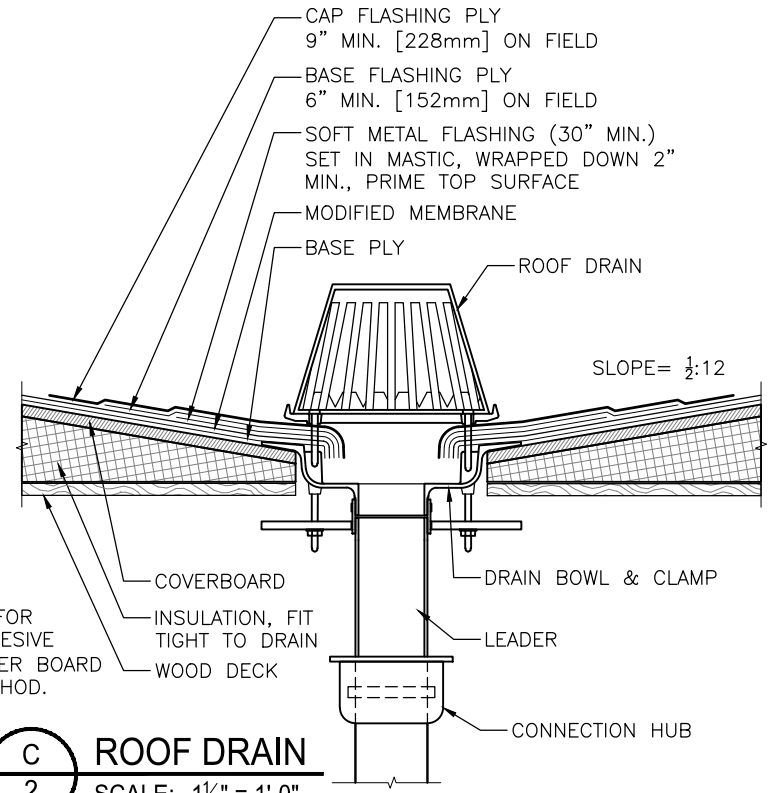
NOTE:
REFERENCE SPECIFICATION FOR
SURFACING, MEMBRANE ADHESIVE TYPE,
AND INSULATION/COVER BOARD TYPE
AND ATTACHMENT METHOD.

E PLUMBING STACK
SCALE: 1/2" = 1'-0"



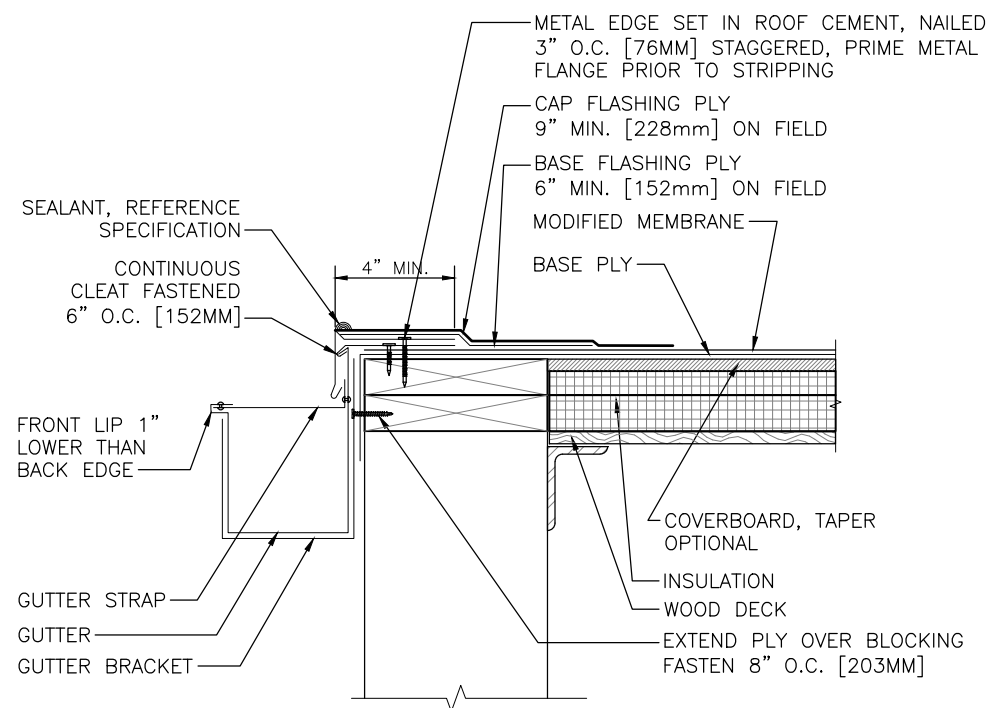
NOTE:
REFERENCE SPECIFICATION FOR
SURFACING, MEMBRANE ADHESIVE TYPE,
AND INSULATION/COVER BOARD TYPE
AND ATTACHMENT METHOD.

D EXHAUST FAN
SCALE: 1/2" = 1'-0"



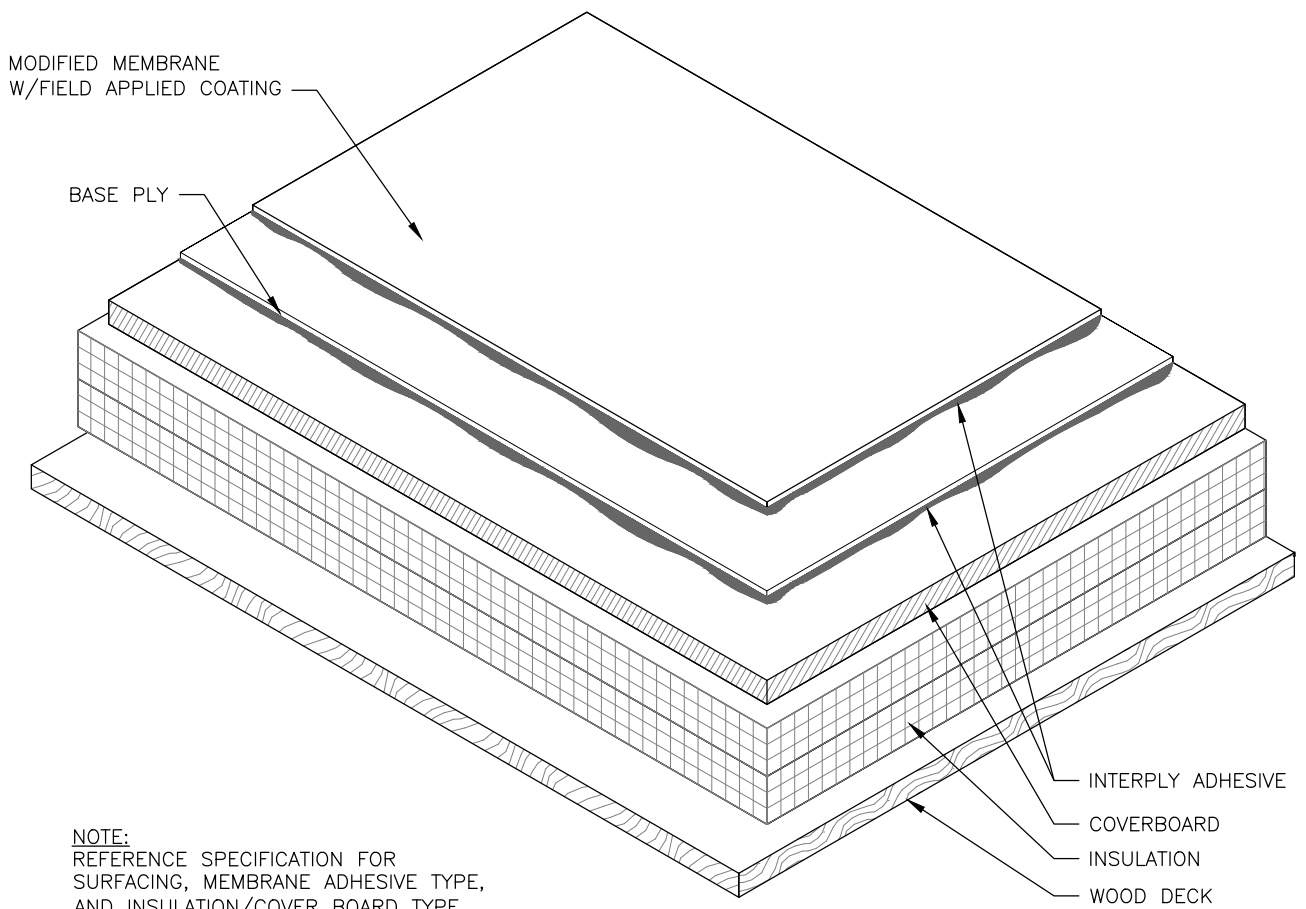
NOTE:
REFERENCE SPECIFICATION FOR
SURFACING, MEMBRANE ADHESIVE TYPE,
AND INSULATION/COVER BOARD TYPE
AND ATTACHMENT METHOD.

C ROOF DRAIN
SCALE: 1/2" = 1'-0"



NOTE:
REFERENCE SPECIFICATION FOR
SURFACING, MEMBRANE ADHESIVE TYPE,
AND INSULATION/COVER BOARD TYPE
AND ATTACHMENT METHOD.

B METAL EDGE - DRIP EDGE WITH GUTTER
SCALE: 1/2" = 1'-0"

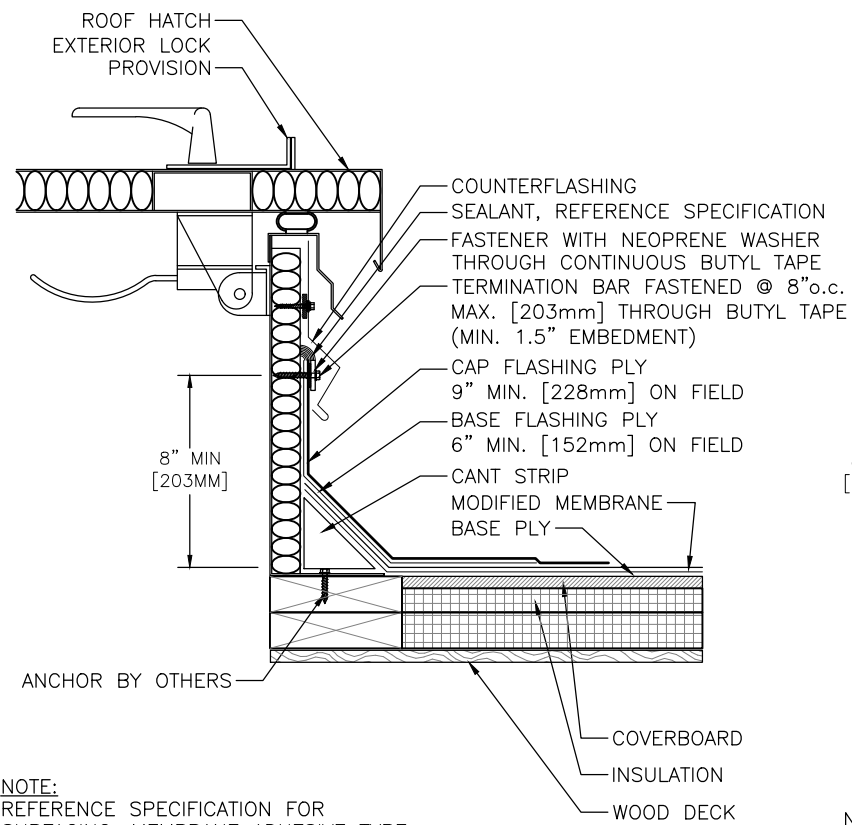


NOTE:
REFERENCE SPECIFICATION FOR
SURFACING, MEMBRANE ADHESIVE TYPE,
AND INSULATION/COVER BOARD TYPE
AND ATTACHMENT METHOD.

A TYPICAL ROOF SYSTEM COATED SURFACE
SCALE: 3" = 1'-0"

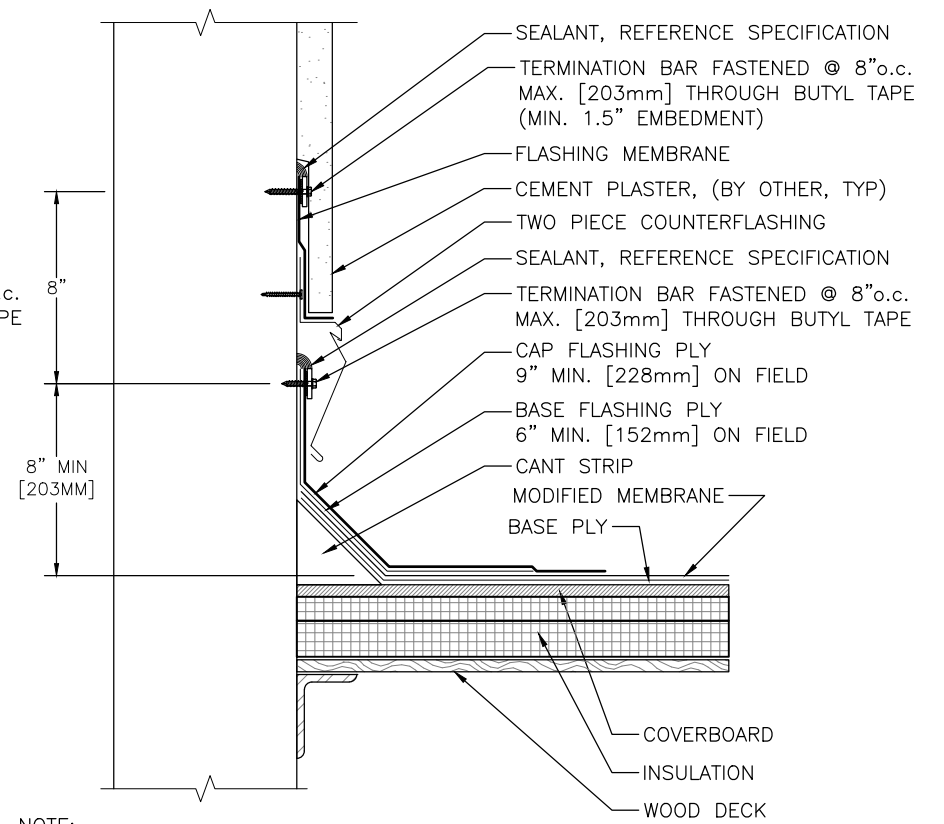
FAIRFIELD SUISUN UNIFIED SCHOOL DISTRICT - SUISUN VALLEY ES		AGENT:	DWG BY: GCK	CHK BY:
4985 LAMBERT RD, FAIRFIELD, CA 94534		JOB NUMBER:		
ARCHITECT:	CUSTOMER:	DATE: 01-28-20	OF 3	
REVISION:		SHEET: 2		

Addendum #1
2 Mar 20



NOTE:
REFERENCE SPECIFICATION FOR
SURFACING, MEMBRANE ADHESIVE TYPE,
AND INSULATION/COVER BOARD TYPE
AND ATTACHMENT METHOD.

G
3 HATCH DETAIL
SCALE: 1/2" = 1'-0"



NOTE:
REFERENCE SPECIFICATION FOR
SURFACING, MEMBRANE ADHESIVE TYPE,
AND INSULATION/COVER BOARD TYPE
AND ATTACHMENT METHOD.

F
3 WALL FLASHING AT CEMENT PLASTER WALL
- NEW CONSTRUCTION
SCALE: 1/2" = 1'-0"