

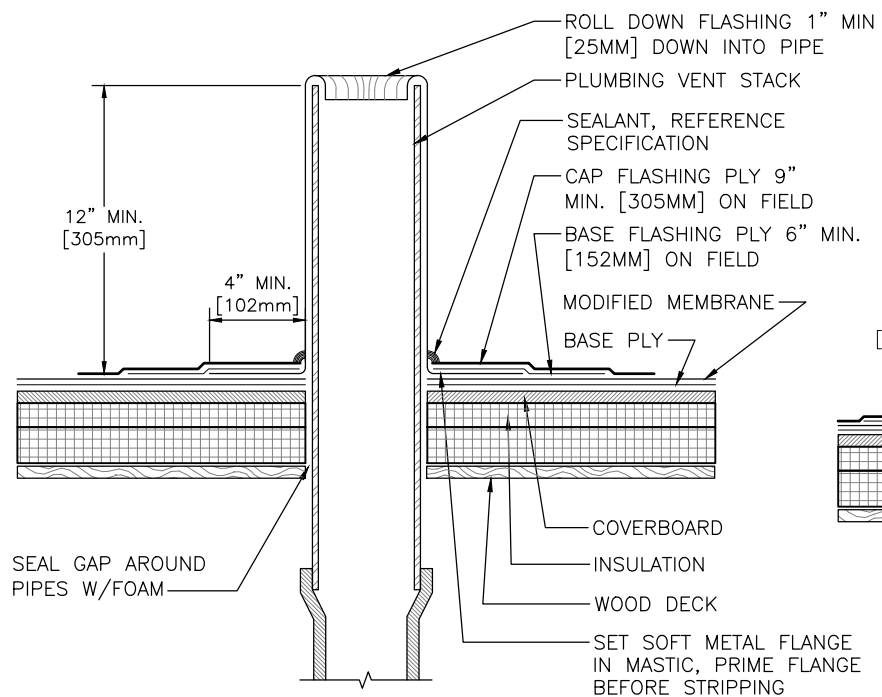
ROOF PLAN
SCALE: 1" = 40'



SCOPE OF WORK:

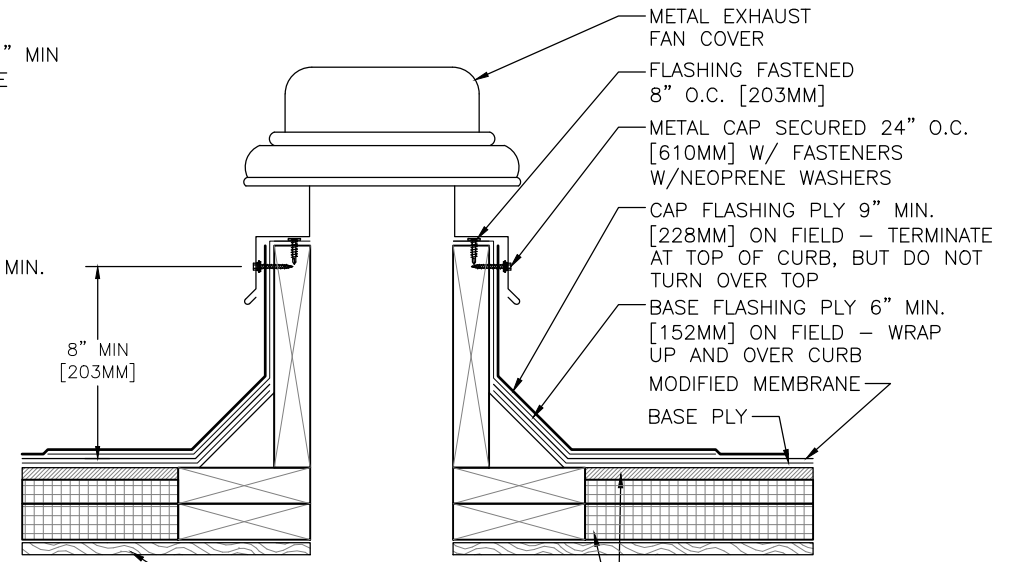
1. INSTALLATION OF 1/2" RIGID INSULATION.
2. INSTALLATION OF DIAMOND CRICKETS IN BETWEEN DRAINS TO ENSURE PROPER DRAINAGE
3. INSTALLATION OF INSULATION CRICKETS UPSLOPE OF ALL CURBS >2.5" WIDE.
4. INSTALLATION OF SBS/SIS MODIFIED BASE SHEET IN TYPE III HOT ASPHALT.
5. INSTALLATION OF SBS/SIS MODIFIED CAP MEMBRANE IN TYPE III HOT ASPHALT.
6. INSTALLATION OF TWO PLY MODIFIED BASE FLASHINGS SET IN HOT ASPHALT.
7. APPLICATION OF TWO COATS TITLE 24 APPROVED WHITE ROOF ACRYLIC.
8. APPLICATION OF LIQUITEC FLUID APPLIED COATING PER MANUFACTURERS RECOMMENDATION AT ALL OAKBROOK BUILDINGS THAT HAVE STANDING SEAM METAL-SEE ROOF PLAN
9. PIPE SUPPORT WOOD BLOCKING: INSTALLATION OF MECHANICALLY ATTACHED, ROOFED IN 4"X6" BLOCKING ON 20' CENTERS.
10. REPLACEMENT OF ALL REMAINING EXPOSED WOOD BLOCKS WITH NEOPRENE RUBBER BLOCKS TO PROVIDE MAX 5' OC SPACING.
11. REUSE OF ALL EXISTING NEOPRENE RUBBER BLOCKS.
12. REPLACEMENT OF ALL FLANGED SHEET METAL VENTS WITH NEW, 20 GAUGE FLANGED VENTS.
13. INSTALLATION OF NEW 24-GAUGE KYNAR COATED GUTTERS.
14. REUSE ALL DOWNSPOUTS.
15. SAW-CUTTING OF NEW 24-GAUGE ROOF TO WALL COUNTER-FLASHINGS.
16. INSTALLATION OF 4 LB. LEAD JACKS AT ALL PIPE PENETRATIONS.
17. REUSE OF EXHAUST FAN COVERS.
18. FLASHINGS, DETAILS, CLEAN UP, ETC.

REVISION:	FAIRFIELD SUISUN UNIFIED SCHOOL DISTRICT - OAKBROOK ES		
	700 OAKBROOK DR. FAIRFIELD, CA 94534		
SHEET: 1	ARCHITECT:	AGENT:	DWG BY: GCK
	DATE: 01-28-20	CUSTOMER:	CHK BY:
OF 3	JOB NUMBER:		



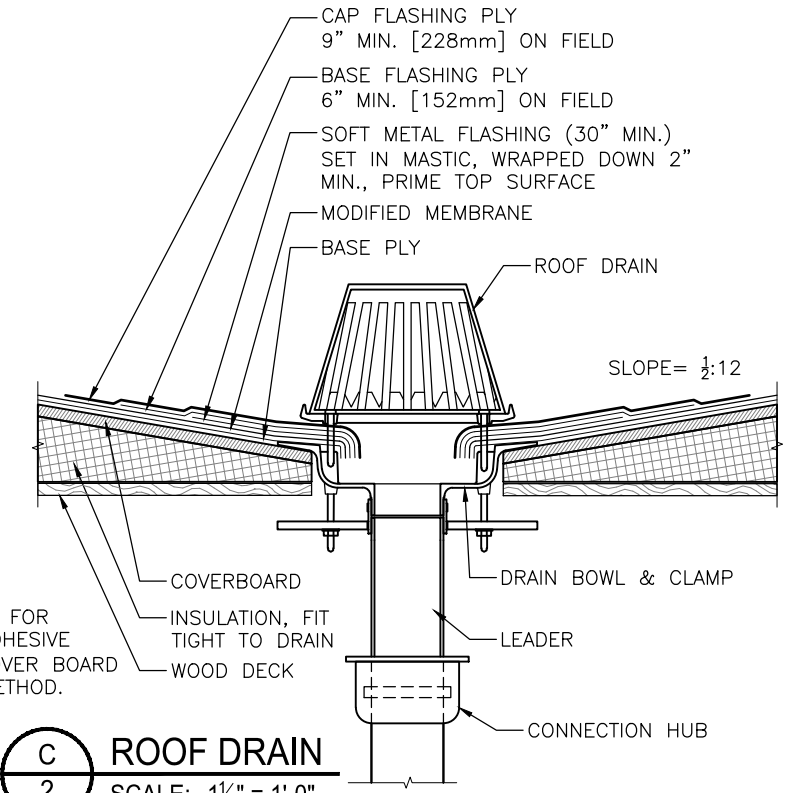
NOTE:
REFERENCE SPECIFICATION FOR
SURFACING, MEMBRANE ADHESIVE TYPE,
AND INSULATION/COVER BOARD TYPE
AND ATTACHMENT METHOD.

E PLUMBING STACK
SCALE: 1/2" = 1'-0"



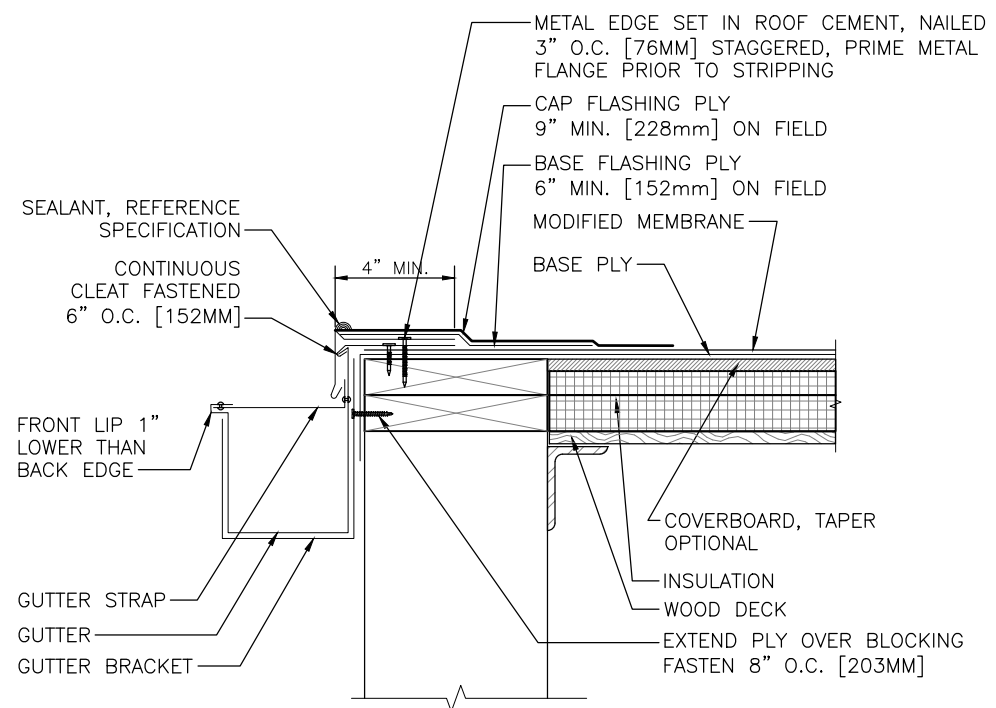
NOTE:
REFERENCE SPECIFICATION FOR
SURFACING, MEMBRANE ADHESIVE TYPE,
AND INSULATION/COVER BOARD TYPE
AND ATTACHMENT METHOD.

D EXHAUST FAN
SCALE: 1/2" = 1'-0"



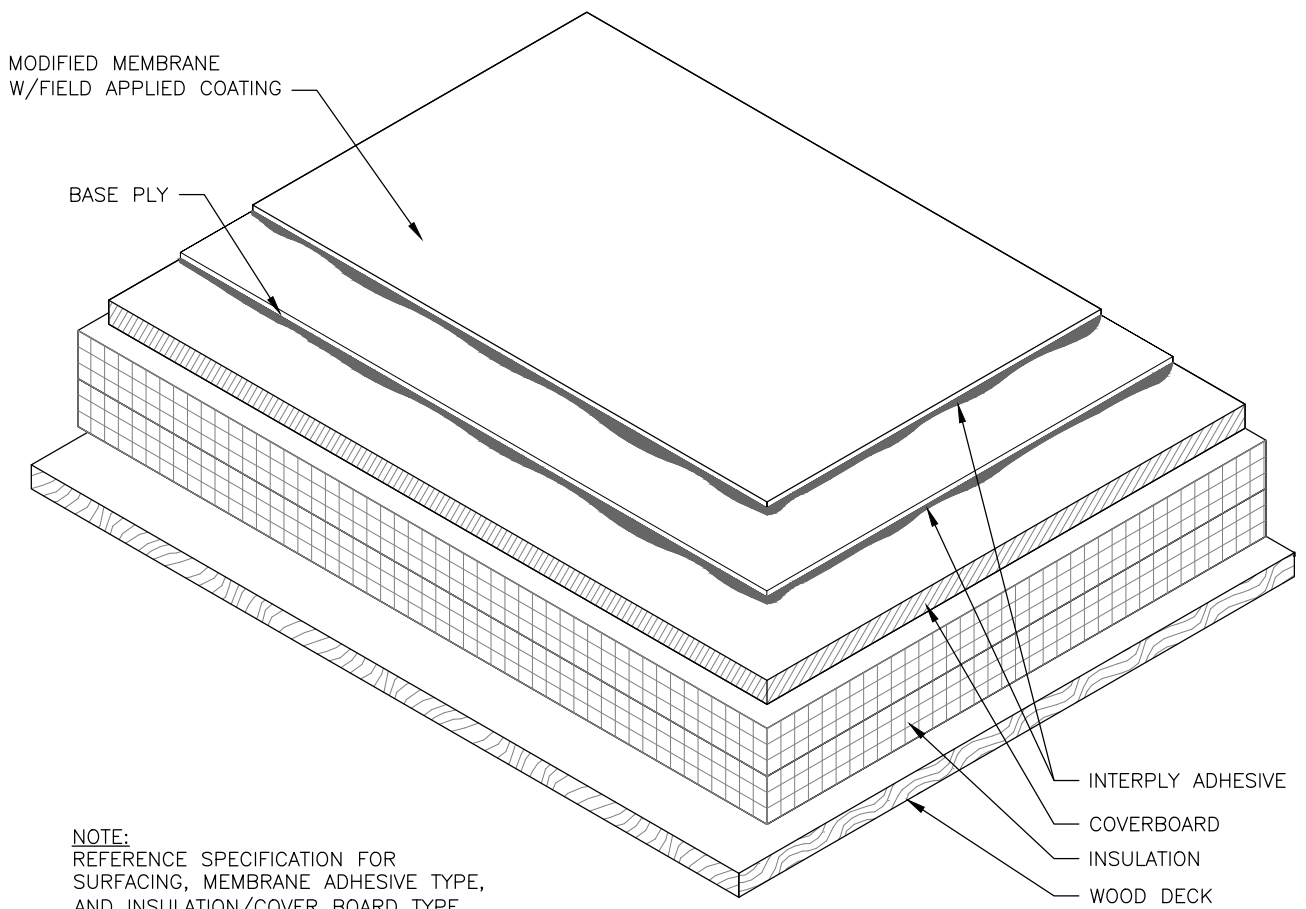
NOTE:
REFERENCE SPECIFICATION FOR
SURFACING, MEMBRANE ADHESIVE
TYPE, AND INSULATION/COVER BOARD
TYPE AND ATTACHMENT METHOD.

C ROOF DRAIN
SCALE: 1/2" = 1'-0"



NOTE:
REFERENCE SPECIFICATION FOR
SURFACING, MEMBRANE ADHESIVE TYPE,
AND INSULATION/COVER BOARD TYPE
AND ATTACHMENT METHOD.

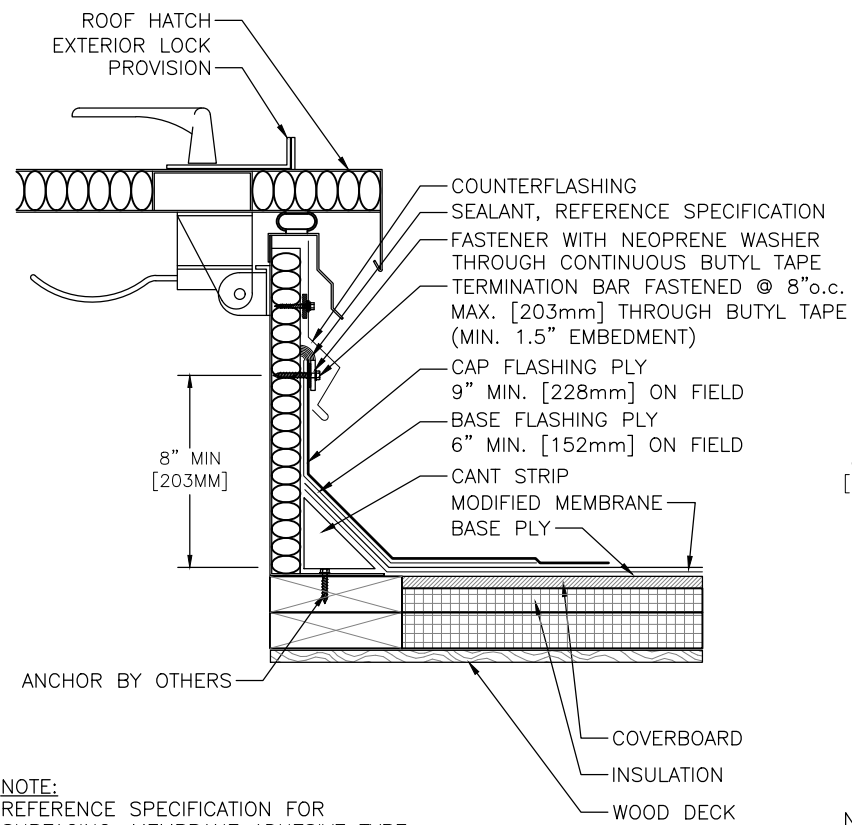
B METAL EDGE - DRIP EDGE WITH GUTTER
SCALE: 1/2" = 1'-0"



NOTE:
REFERENCE SPECIFICATION FOR
SURFACING, MEMBRANE ADHESIVE TYPE,
AND INSULATION/COVER BOARD TYPE
AND ATTACHMENT METHOD.

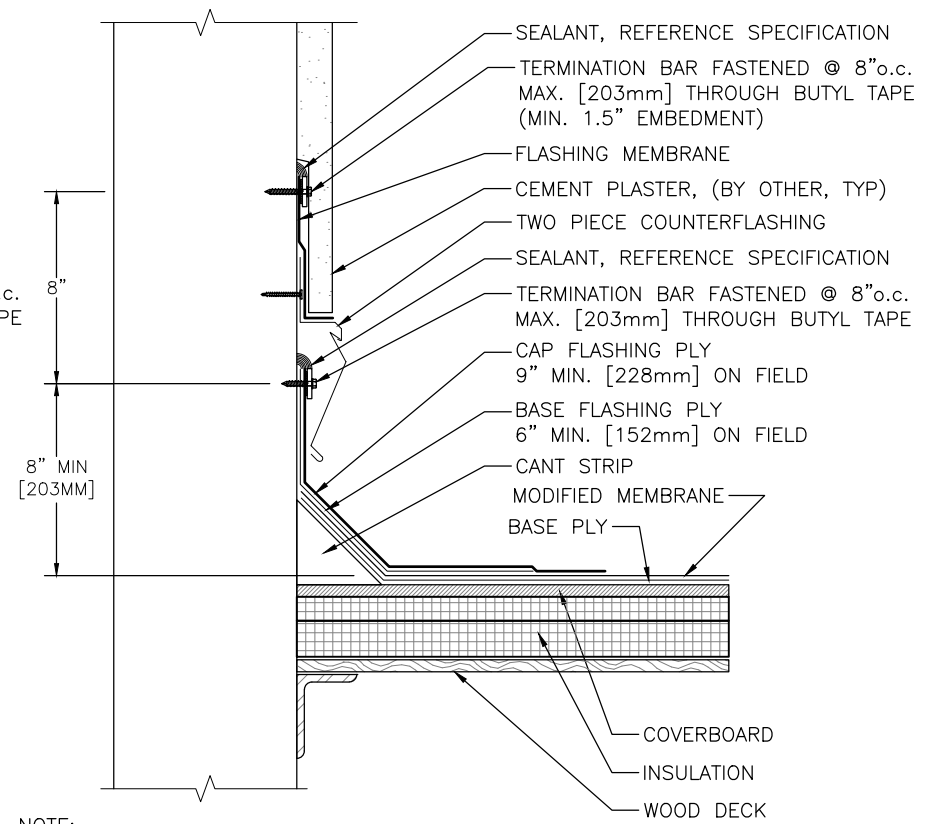
A TYPICAL ROOF SYSTEM COATED SURFACE
SCALE: 3" = 1'-0"

REVISION:	ARCHITECT:	CUSTOMER:	DATE: 01-28-20	SHEET: 2 OF 3
FAIRFIELD SUISUN UNIFIED SCHOOL DISTRICT - OAKBROOK ES	700 OAKBROOK DR. FAIRFIELD, CA 94534	AGENT:	JOB NUMBER:	DWG BY: GCK
				CHK BY:



NOTE:
REFERENCE SPECIFICATION FOR
SURFACING, MEMBRANE ADHESIVE TYPE,
AND INSULATION/COVER BOARD TYPE
AND ATTACHMENT METHOD.

G HATCH DETAIL
3 SCALE: 1/2" = 1'-0"

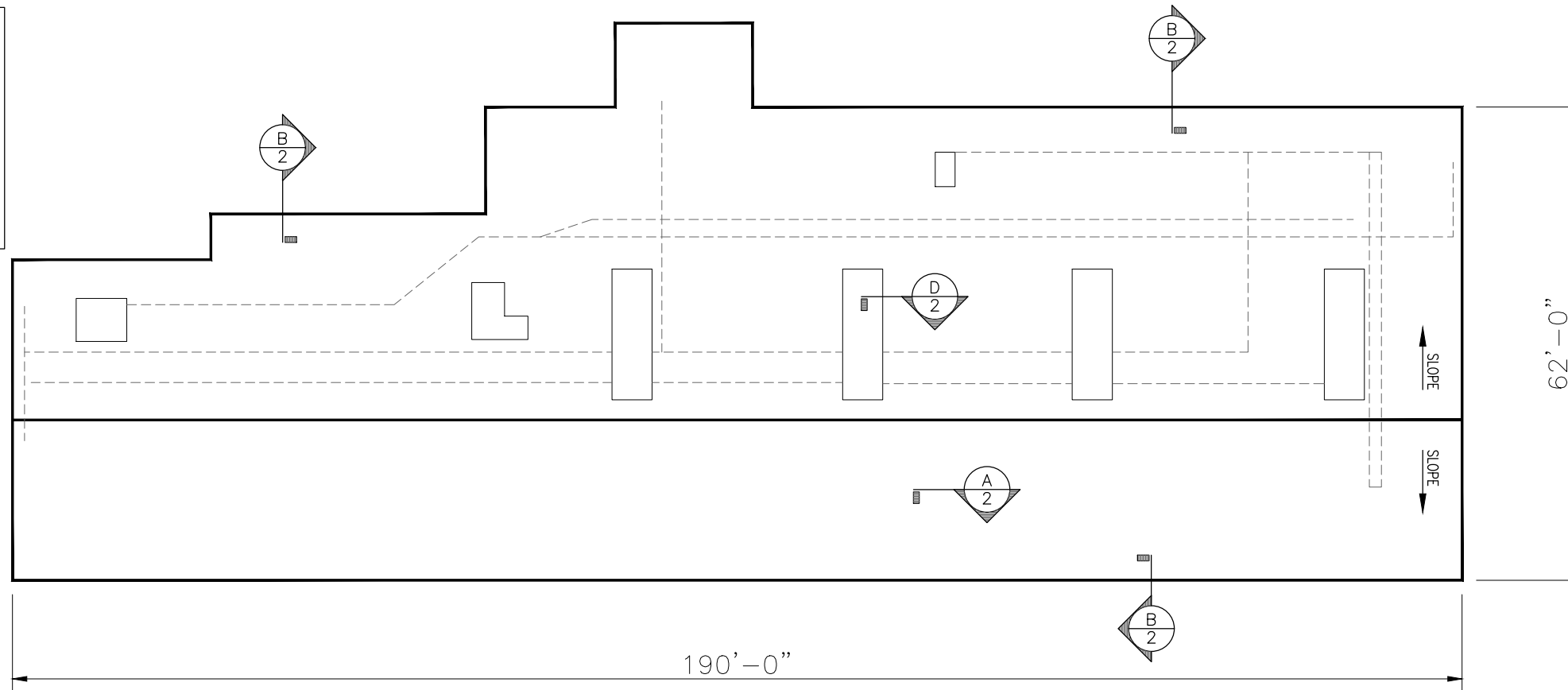
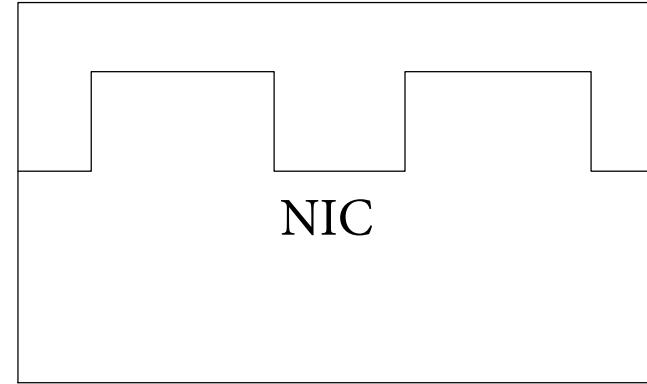


NOTE:
REFERENCE SPECIFICATION FOR
SURFACING, MEMBRANE ADHESIVE TYPE,
AND INSULATION/COVER BOARD TYPE
AND ATTACHMENT METHOD.

F WALL FLASHING AT CEMENT PLASTER WALL
3 - NEW CONSTRUCTION
3 SCALE: 1/2" = 1'-0"

SCOPE OF WORK:

1. INSTALLATION OF 1/2" RIGID INSULATION.
2. INSTALLATION OF DIAMOND CRICKETS IN BETWEEN DRAINS TO ENSURE PROPER DRAINAGE
3. INSTALLATION OF INSULATION CRICKETS UPSLOPE OF ALL CURBS >2.5" WIDE.
4. INSTALLATION OF SBS/SIS MODIFIED BASE SHEET IN TYPE III HOT ASPHALT.
5. INSTALLATION OF SBS/SIS MODIFIED CAP MEMBRANE IN TYPE III HOT ASPHALT.
6. INSTALLATION OF TWO PLY MODIFIED BASE FLASHINGS SET IN HOT ASPHALT.
7. APPLICATION OF TWO COATS TITLE 24 APPROVED WHITE ROOF ACRYLIC.
8. APPLICATION OF LIQUTEC FLUID APPLIED COATING PER MANUFACTURERS RECOMMENDATION AT ALL OAKBROOK BUILDINGS THAT HAVE STANDING SEAM METAL—SEE ROOF PLAN
9. PIPE SUPPORT WOOD BLOCKING: INSTALLATION OF MECHANICALLY ATTACHED, ROOFED IN 4"x6" BLOCKING ON 20' CENTERS.
10. REPLACEMENT OF ALL REMAINING EXPOSED WOOD BLOCKS WITH NEOPRENE RUBBER BLOCKS TO PROVIDE MAX 5' OC SPACING.
11. REUSE OF ALL EXISTING NEOPRENE RUBBER BLOCKS.
12. REPLACEMENT OF ALL FLANGED SHEET METAL VENTS WITH NEW, 20 GAUGE FLANGED VENTS.
13. INSTALLATION OF NEW 24-GAUGE KYNAR COATED GUTTERS.
14. REUSE ALL DOWNSPOUTS.
15. SAW-CUTTING OF NEW 24-GAUGE ROOF TO WALL COUNTER-FLASHINGS.
16. INSTALLATION OF 4 LB. LEAD JACKS AT ALL PIPE PENETRATIONS.
17. REUSE OF EXHAUST FAN COVERS.
18. FLASHINGS, DETAILS, CLEAN UP, ETC.



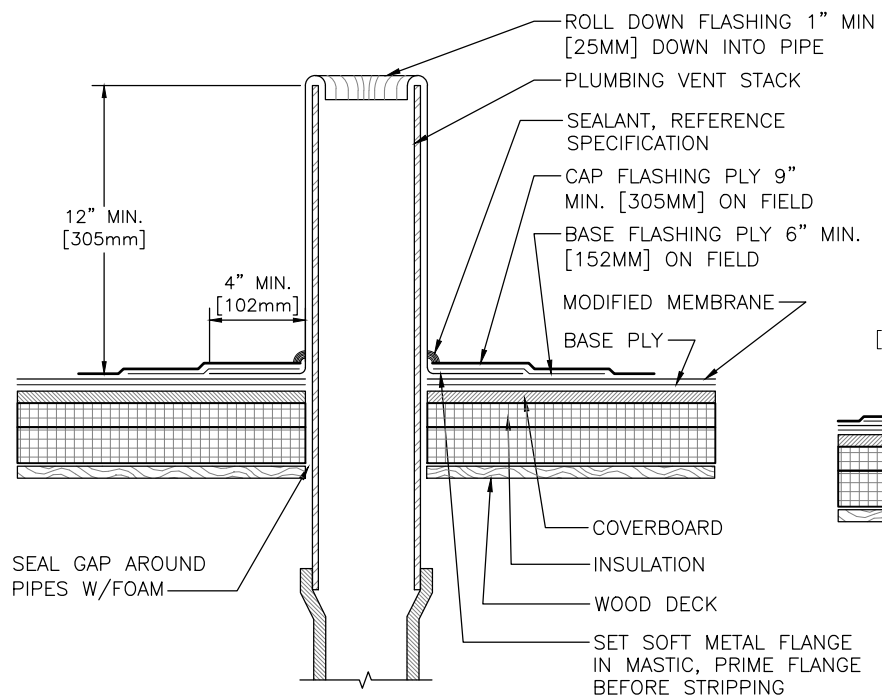
ROOF PLAN
SCALE: 1" = 20'



FAIRFIELD SUISUN UNIFIED SCHOOL DISTRICT - SUISUN VALLEY ES
4985 LAMBERT RD., FAIRFIELD, CA 94534

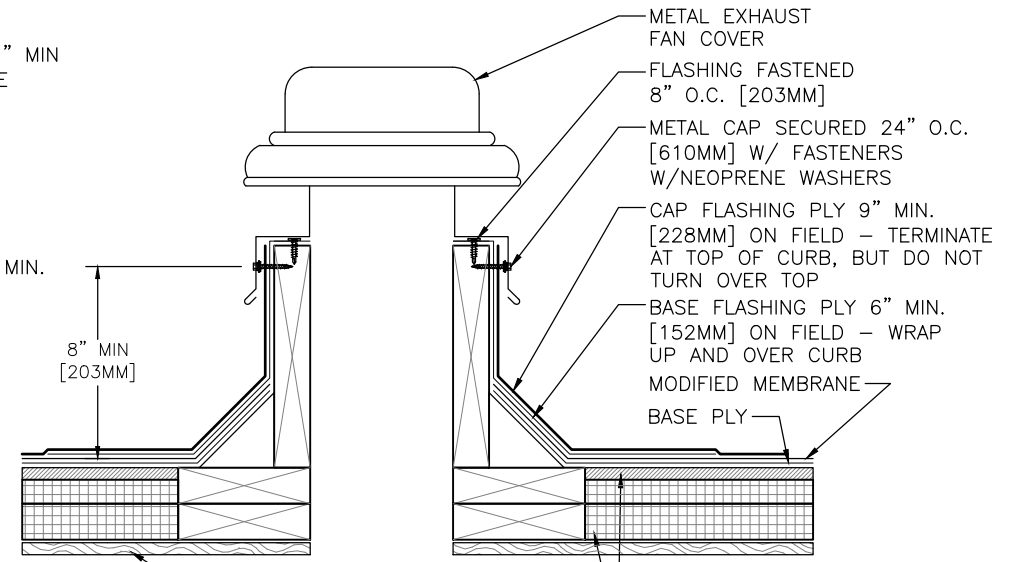
ARCHITECT: AGENT:
CUSTOMER: JOB NUMBER:
DATE: 01-28-20
SHEET: 1 OF 3

DWG BY: GCK | CHK BY:



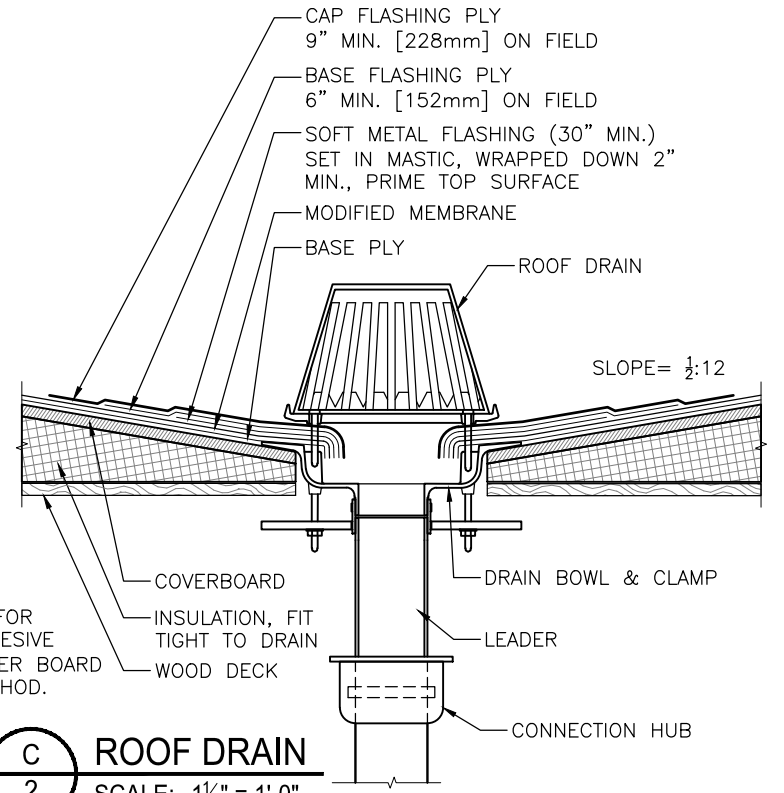
NOTE:
REFERENCE SPECIFICATION FOR
SURFACING, MEMBRANE ADHESIVE TYPE,
AND INSULATION/COVER BOARD TYPE
AND ATTACHMENT METHOD.

E PLUMBING STACK
SCALE: 1/2" = 1'-0"



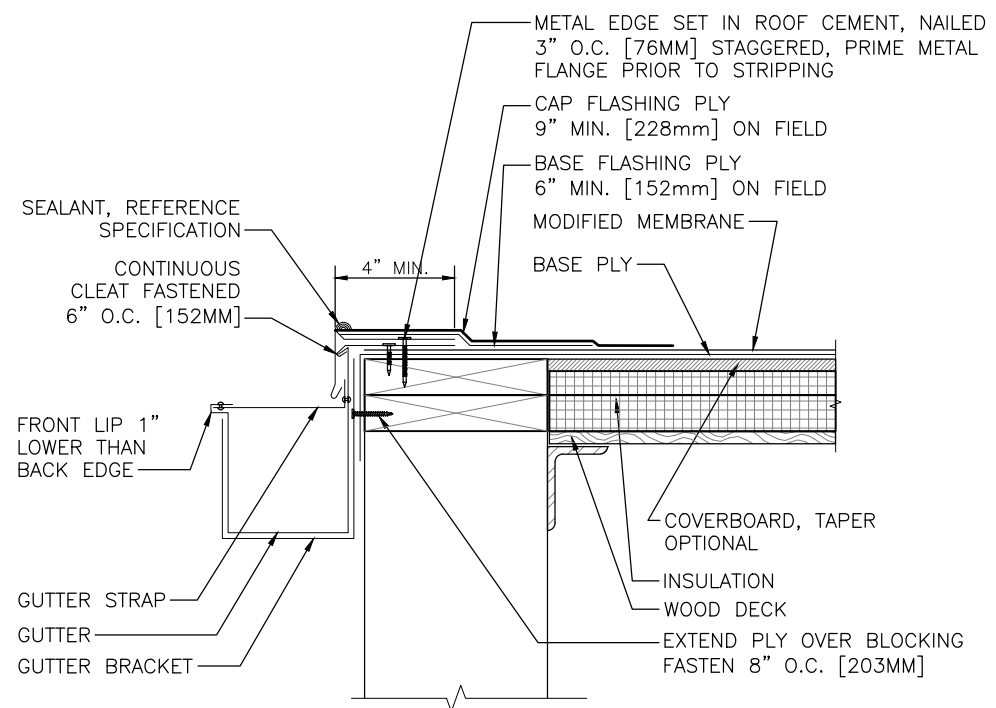
NOTE:
REFERENCE SPECIFICATION FOR
SURFACING, MEMBRANE ADHESIVE TYPE,
AND INSULATION/COVER BOARD TYPE
AND ATTACHMENT METHOD.

D EXHAUST FAN
SCALE: 1/2" = 1'-0"



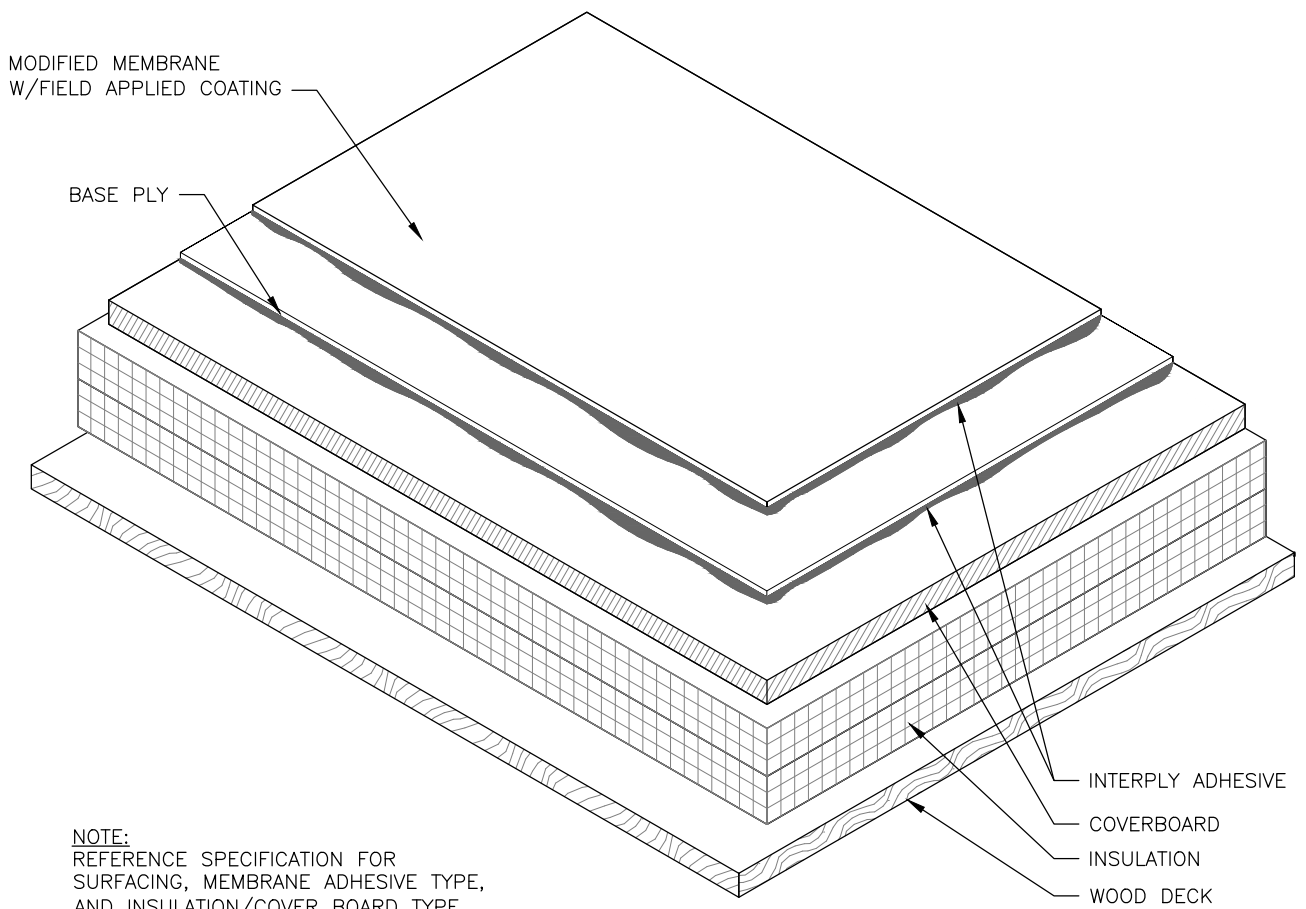
NOTE:
REFERENCE SPECIFICATION FOR
SURFACING, MEMBRANE ADHESIVE
TYPE, AND INSULATION/COVER BOARD
TYPE AND ATTACHMENT METHOD.

C ROOF DRAIN
SCALE: 1/2" = 1'-0"



NOTE:
REFERENCE SPECIFICATION FOR
SURFACING, MEMBRANE ADHESIVE TYPE,
AND INSULATION/COVER BOARD TYPE
AND ATTACHMENT METHOD.

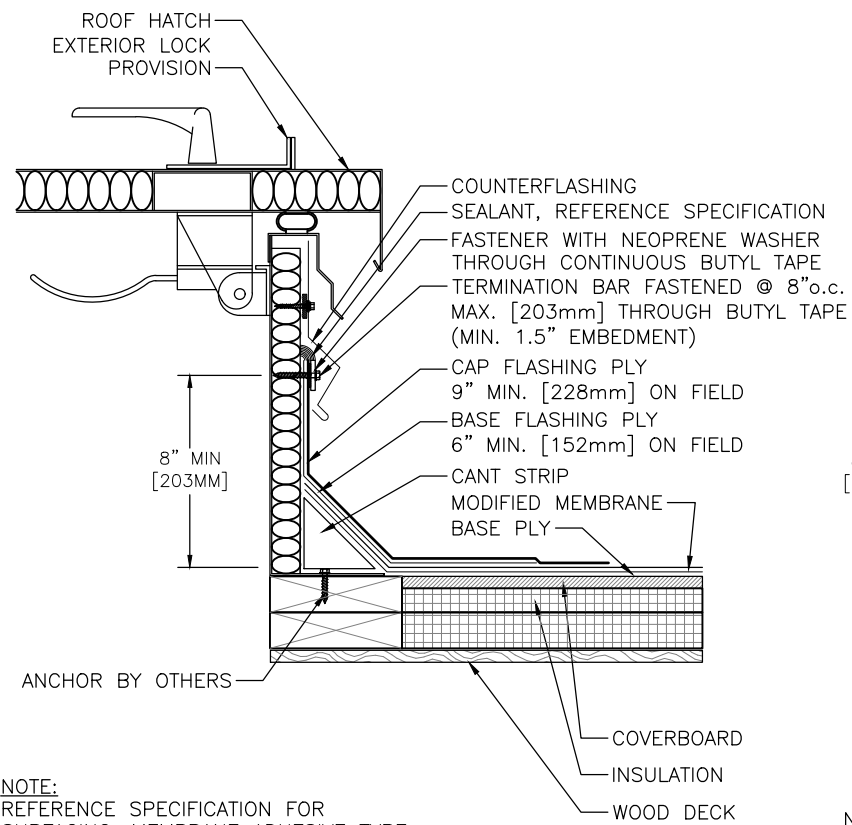
B METAL EDGE - DRIP EDGE WITH GUTTER
SCALE: 1/2" = 1'-0"



NOTE:
REFERENCE SPECIFICATION FOR
SURFACING, MEMBRANE ADHESIVE TYPE,
AND INSULATION/COVER BOARD TYPE
AND ATTACHMENT METHOD.

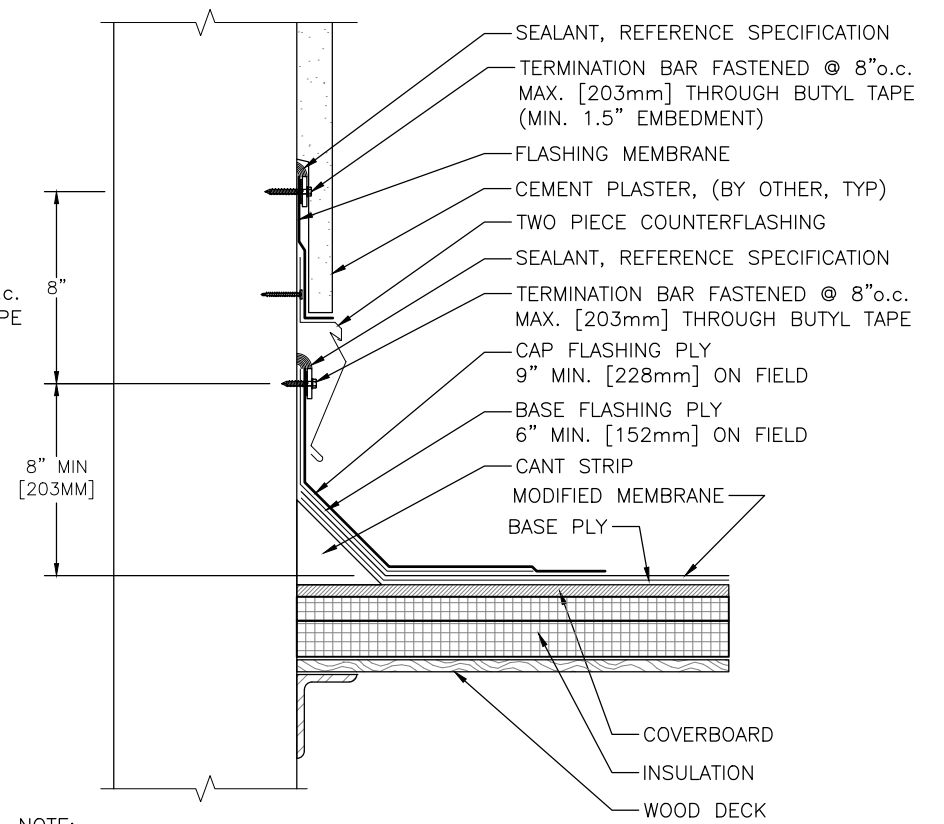
A TYPICAL ROOF SYSTEM COATED SURFACE
SCALE: 3" = 1'-0"

REVISION:	ARCHITECT:	DATE:	OF	SHEET	AGENT:	DWG BY:	CHK BY:
		01-28-20	3	2	FAIRFIELD SUISUN UNIFIED SCHOOL DISTRICT - SUISUN VALLEY ES	GCK	
					4985 LAMBERT RD, FAIRFIELD, CA 94534		
					JOB NUMBER:		



NOTE:
REFERENCE SPECIFICATION FOR
SURFACING, MEMBRANE ADHESIVE TYPE,
AND INSULATION/COVER BOARD TYPE
AND ATTACHMENT METHOD.

G HATCH DETAIL
3 SCALE: 1/2" = 1'-0"



NOTE:
REFERENCE SPECIFICATION FOR
SURFACING, MEMBRANE ADHESIVE TYPE,
AND INSULATION/COVER BOARD TYPE
AND ATTACHMENT METHOD.

F WALL FLASHING AT CEMENT PLASTER WALL
3 - NEW CONSTRUCTION
3 SCALE: 1/2" = 1'-0"