

ADDENDUM NO. 02:

Dated: 10/11/19

PROJECT: CENTRAL OFFICE BOARD ROOM A/V EQUIPMENT UPGRADES
BID NO: 20F-113
CLIENT: FAIRFIELD-SUISUN UNIFIED SCHOOL DISTRICT

FROM: MADI Group, Inc.

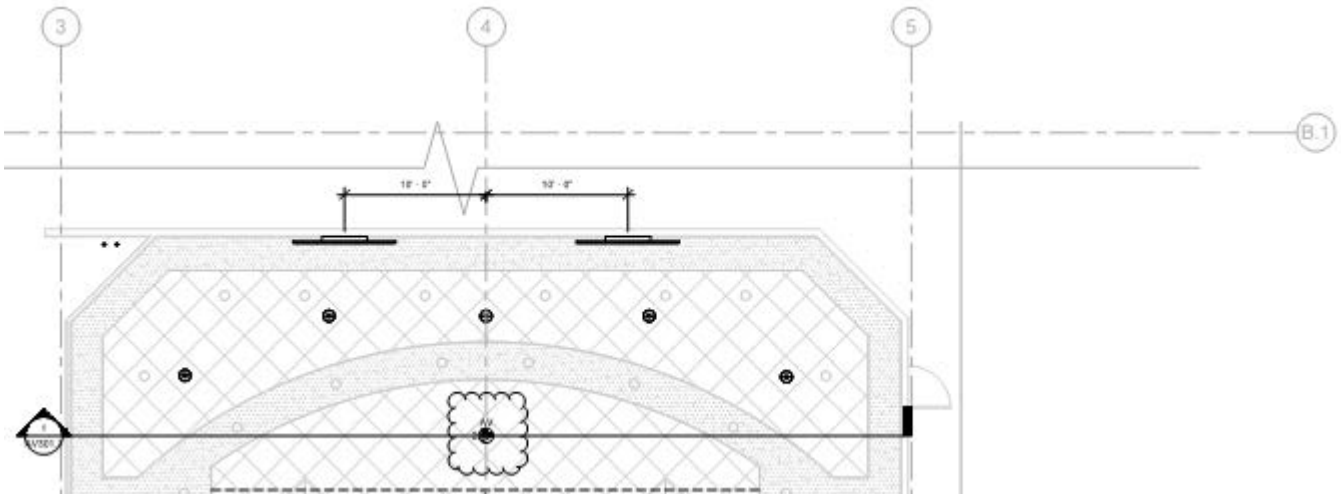
This Addendum forms a part of the Contract Documents and modifies the original Bidding Documents and previous Addenda as noted below. Acknowledge receipt of this Addendum in the space provided in the Bid Form. Failure to do so may subject Bidder to disqualification.

A. CHANGES TO PROJECT MANUAL

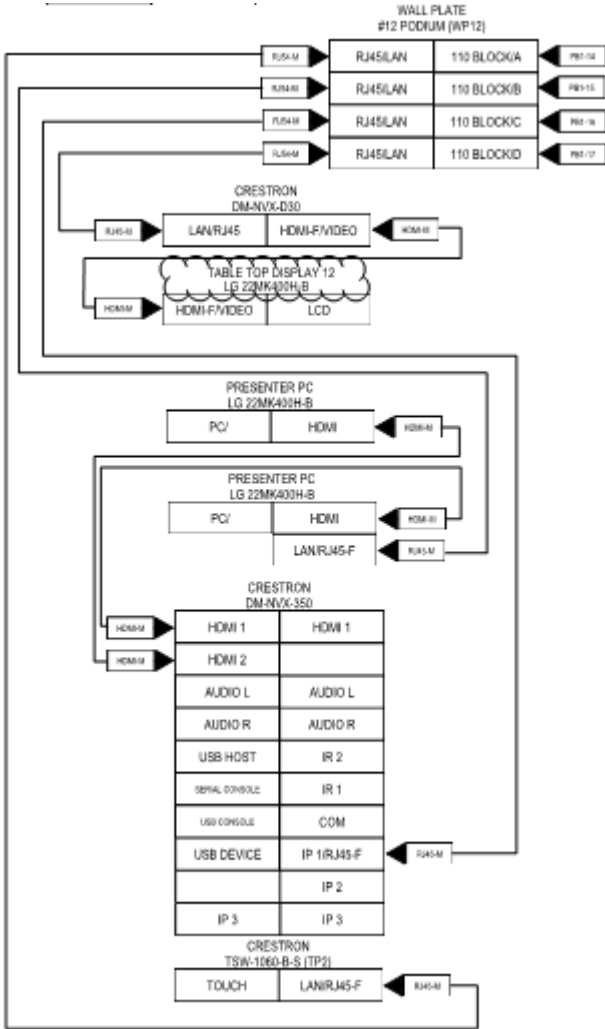
- ITEM 1: Revised Bill Of Materials is attached to this addendum.
- ITEM 2: Revise Project Timeline to extend Construction timeline:
CONSTRUCTION START DATE NOVEMBER 15, 2019
PROJECT COMPLETION DATE JANUARY 6, 2020

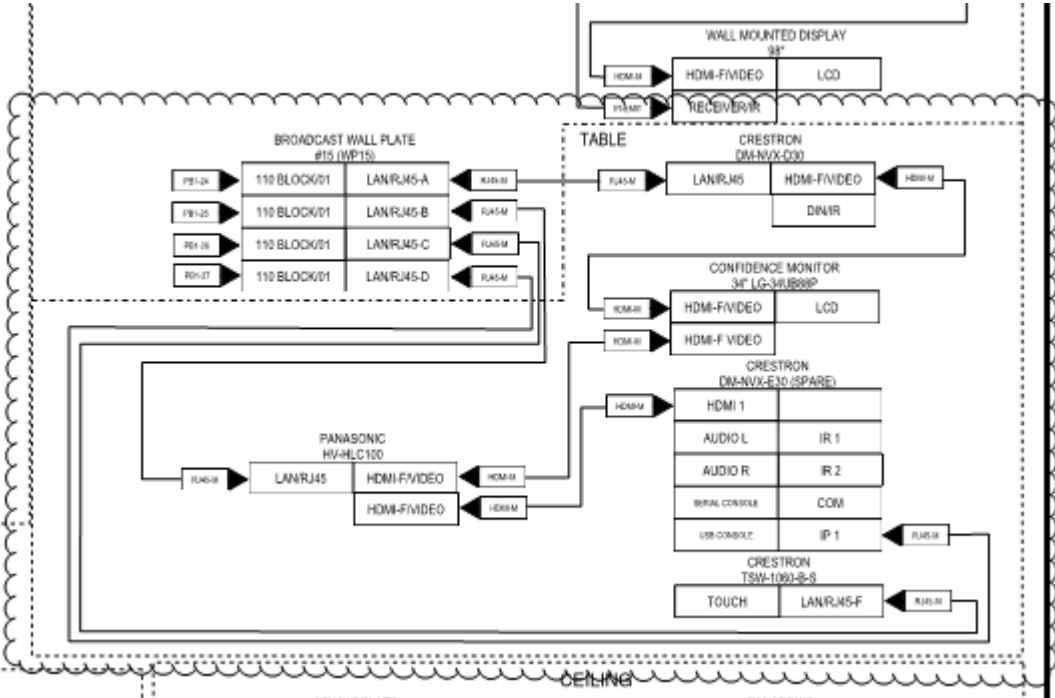
B. CHANGES TO DRAWINGS

- ITEM 1: Drawing AV102.01 is revised as shown below:



- ITEM 2: Drawing AV501.01 is revised as shown below:





C. NEW DRAWINGS

NONE

D. RESPONSE TO BIDDER QUESTIONS

QUESTION 1: There is no mounting detail for the ceiling displays. It is assumed that the AVC is to provide this. If so, please provide more information about the roof structure above the drop ceiling so we can develop per the requirements set forth in the specifications. For example, the distance between space and the drop ceiling and type of structure. Please note that depending on the available attachment point above the drop ceiling, the final location of the displays may not reflect exactly what is shown on the drawings.

RESPONSE 1: Structure above is steel girder and beam with concrete filled metal deck. Install the display mounts per the manufacturer’s instructions and details. Advise is structure above interferes with locations shown on drawings.

QUESTION 2: The supplied BOM calls for (2) 65” and (2) 98” displays plus associated mounts and system devices, but it appears that the lobby display was left out of the BOM. The functional diagram on sheet AV501.1 calls for a 98” display in the lobby. Please confirm that is the right size to include in the bid.

RESPONSE 2: See attached revised BOM.

ADDENDUM #2

DOCUMENT 00911

Page 4

QUESTION 3: There is a discrepancy on the number for 22" displays plus associated tabletop mounts and system devices. The BOM calls for (11), the functional diagram on sheet AV501.1 shows (13) and the system description under section 27 41 16, part 1.04-A calls for a total of (14). Please confirm the correct number required.

RESPONSE 3: See attached revised BOM.

QUESTION 4: Please provide the location of the wireless microphone system antenna. It is currently not shown on the room layouts.

RESPONSE 4: See Section B ITEM 1 above.

QUESTION 5: Please provide location of the (2) wall mounted touch control panels.

RESPONSE 5: See Section B ITEM 2 above.

QUESTION 6: Functional diagram shows the Panasonic AV-HLC100 switcher on the wall. Based on the review of the room it is assumed that this will be set up at the control table at the back of the room. However, please confirm.

RESPONSE 6: See Section B ITEM 2 above.

QUESTION 7: Does the school district have spare ceiling tiles or is the AVC responsible for replacements? If so, please provide specification of the existing tiles.

RESPONSE 7: The District does not have a stock of spare ceiling tiles. The spec. for the ceiling tile is USG, Halcyon, 2'x2'x1", White.

QUESTION 8: Please provide specification for the OFE video/audio streaming (VSD1). Make and model number would be helpful.

RESPONSE 8: District to provide complete specifications for the streaming service and system prior to start of construction.

QUESTION 9: Specification section part 1.04, A-1-V calls for a 16x8 Dante audio I/O box. Please provide specification for this device. Make and model would be helpful.

RESPONSE 9: This device is not required.

QUESTION 10: Correction on the 22" displays. Functional diagram on sheet AV501.1 shows (14), NOT (13) as previously stated.

RESPONSE 10: See attached revised BOM.

Fairfield Suisun Unified School District Boardroom
Audio/Visual Systems Upgrade

Display Mount			
Description	Mfg.	Model No.	Qty.
Heavy Duty Flat Panel Wall Mount	Chief	XTM1U	3
Large Fusion Tilt Wall Mount	Chief	LMC1U	2
EXTENTION POLE (pricign included in mount)	Chief	CMSO36	2
CEILING PLATE (pricing included in mount)	Chief	CMA110W	2
Foldable LCD Monitor Vesa Mount 10"-22" Display	Ergotron	BH#ER33387085	11

Display Equipment			
Description	Mfg.	Model No.	Qty.
98" Display	NEC	C981Q	2
65" Display	NEC	C651Q	3
22" Display	LG	22MK400H-B	11

Video Equipment			
Description	Mfg.	Model No.	Qty.
PTZ CAMERA AND WALL MOUNT	Panasonic	AW-HN130WPJ	4
Video Switcher/camera control	Panasonic	HV-HLC100	1
FOH MONITOR 34"	LG	34UB88P	1
Video over IP decoder	CRESTRON	DM-NVX-D30	18
Video over IP decoder W/DAUNTE	CRESTRON	DM-NVX-352	5
HDMI CABLES	CRESTRON	A/R	28
HDMI ADDAPTER/TETHER	LIBERTY	DL-AR-3777	3

Audio Equipment			
Description	Mfg.	Model No.	Qty.
ALS SYSTEM	LISTEN	LCS-120-01-D	1
Wireless microphone recievers/daunte Enabled	Shure	MXWANIB	2
Wireless table top microphone TX with 10" goose neck mice	Shure	MXW8/MX410LPDF/S-10	12
Wireless Handheld microphone TX w/SM58	Shure	MXW2/SM58	4
Wireless microphone antenna system	Shure	MXWAPT8	2
Charging station x8	Shure	MX\T8	2
Audio DSP/Daute enabled	BI-amp	TesiraForte DAN/VT	1
Audio Amplifier	Crown	DCI8X300DA	1
Ceiling Speakers	CRESTRON	SAR05 IC8T-B-T-Each	14

Control Equipment			
Description	Mfg.	Model No.	Qty.
Crestron controler/ audio/room configuraiton/system power	CRESTRON	CPN3	1
10" touch screen (2) WALL MOUNTED	CRESTRON	TSW-1060-B-S	4

Rack, Accessories, Cabling, Hardware, other Miscellaneous Equipment			
Description	Mfg.	Model No.	Qty.
CUSTOM I/O PLATE BROADCAST INTREFACE	A/R	A/R	1
RACK, POWER AND ACCESSORIES (audio room)	A/R	TSW-1060-B-S	1
RACK MOUNTED PATCH PANELS A/R FOR IP/DM DEVICES	A/R	A/R	1
MISC. CABLE AND MATERIALS	A/R	A/R	1
HPE ARUBA 5406 44GT POE+/RSFP+ (NO PSU) VE ZI2 SWITCH	CISCO	JL003A	1